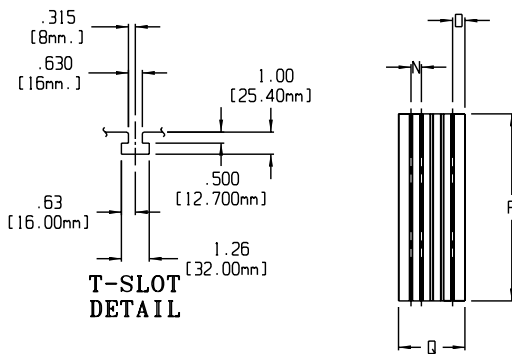


**OVERALL DIMENSIONS**

MACHINE	A	B1	B2	C	D1	D2	E	F	G	H	I	J	K	L	M
VM15	74 <b>1880</b>	92 <b>2337</b>	--	12 <b>305</b>	114 <b>2896</b>	---	39 <b>990</b>	34 <b>864</b>	27 <b>686</b>	51 <b>1295</b>	63 <b>1600</b>	40 <b>1016</b>	40.5 <b>1030</b>	22 <b>560</b>	16 <b>406</b>
VM16	74 <b>1880</b>	92 <b>2337</b>	--	12 <b>305</b>	114 <b>2896</b>	120 <b>3050</b>	39 <b>990</b>	34 <b>864</b>	27 <b>686</b>	51 <b>1295</b>	63 <b>1600</b>	40 <b>1016</b>	40.5 <b>1030</b>	22 <b>560</b>	16 <b>406</b>
VM20	74 <b>1880</b>	92 <b>2337</b>	112 <b>2845</b>	12 <b>305</b>	120 <b>3050</b>	---	39 <b>990</b>	34 <b>864</b>	27 <b>686</b>	51 <b>1295</b>	63 <b>1600</b>	40 <b>1016</b>	40.5 <b>1030</b>	22 <b>560</b>	16 <b>406</b>

**NOTES:**

- 1: ADD 25" TO DIMENSION "L" FOR MACHINES WITH CONVEYOR.
- 2: ADD ONE INCH IN HEIGHT FOR EVERY INCH OF RISER ADDED.
3. DIMENSIONS LISTED IN ALL THE TABLES ARE INCHES OVER MILLIMETERS.



<b>TABLE DIMENSIONS</b>				
MODEL	VM15	VM16	VM20	
X-TRAVEL	24 IN	30 IN	ALL	30 IN   40 IN
N	2.500 <b>63.5</b>	2.500 <b>63.5</b>	3.438 <b>87.3</b>	
□	3 <b>76.2</b>	3 <b>76.2</b>	3.122 <b>79.3</b>	
P	40 <b>1016</b>	45 <b>1143</b>	45 <b>1143</b>	34 <b>864</b>   44.5 <b>1130</b>
□	16 <b>406.4</b>	16 <b>406.4</b>	20 <b>508</b>	

VM15, VM16, VM20

CERTAIN INFORMATION CONTAINED HEREIN THE EXCLUSIVE PROPERTY OF MILLTRONICS MFG. CO. IT IS GIVEN IN CONFIDENCE AND IS NOT TO BE USED OR DISCLOSED TO OTHER THAN THE INTENDED RECIPIENT WITHOUT EXPRESSED WRITTEN CONSENT OF MILLTRONICS MFG. CO.

A	UPDATE TABLE. REMOVE VM15XT AND VM17, ADD VM20	6083		3-23-06
REV.	DESCRIPTION	E.C.D. NO.	APP'D BY	DATE
MILLTRONICS 1400 HILL LANE WACONIA, MN 55397 USA		TITLE VM15,16,20 MACHINE LAYOUT		SCALE 45:1
APPLICATION GENERAL PRODUCTS		DATE 20 OCT 03	DRAWN BY DAHLKE	DNW No. 6-11-018-058 SHEET NO. 1 OF 1