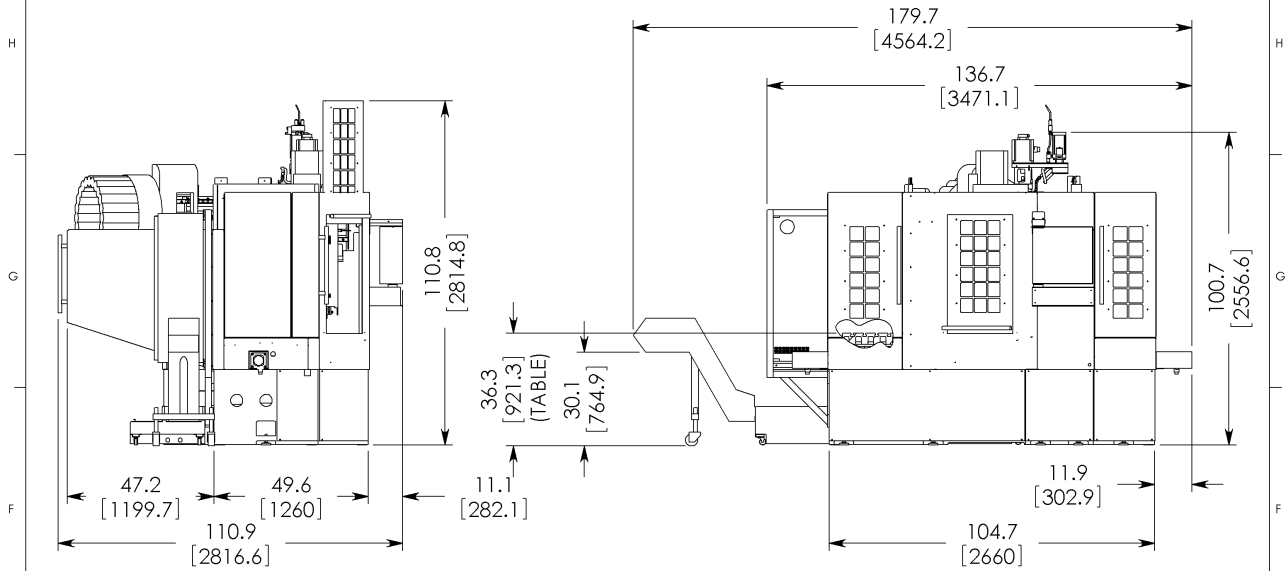


4 3 2 1

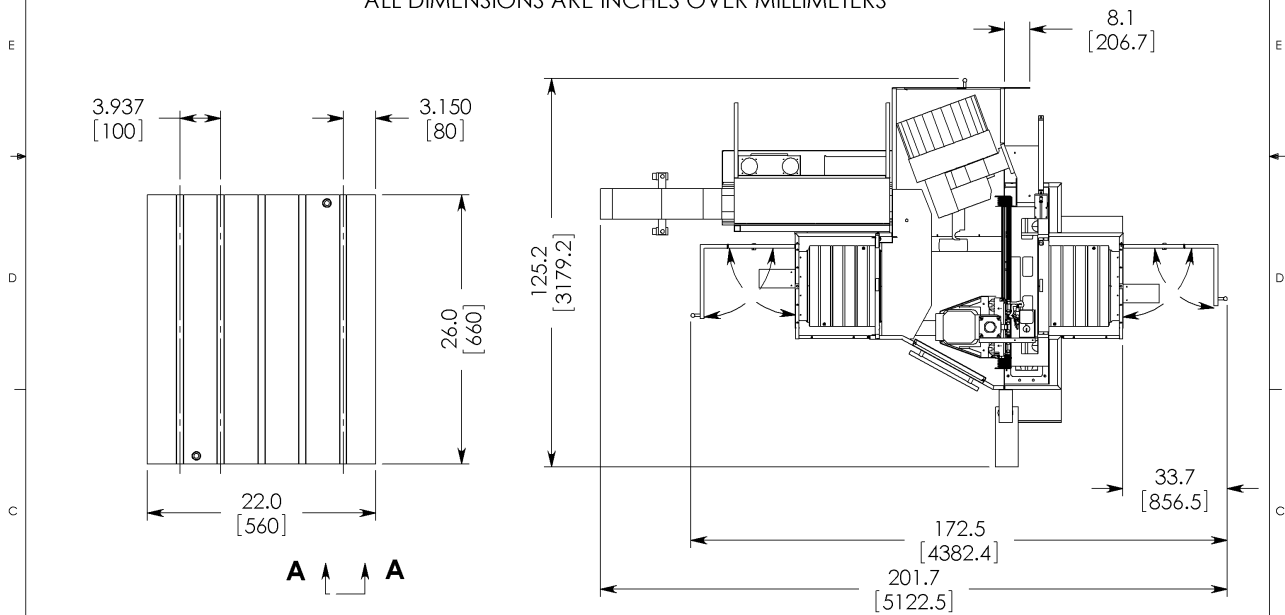
PROPRIETARY AND CONFIDENTIAL
 THE INFORMATION CONTAINED IN THIS DRAWING IS THE SOLE PROPERTY OF
 MILLTRONICS MANUFACTURING. ANY REPRODUCTION IN PART OR AS A WHOLE
 WITHOUT THE WRITTEN PERMISSION OF MILLTRONICS MANUFACTURING IS PROHIBITED



LEFT SIDE VIEW
 OPERATOR DOOR UP

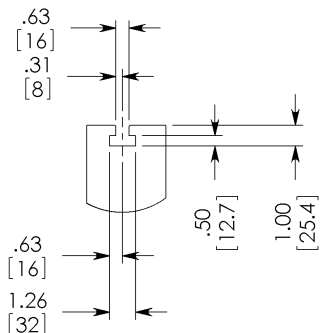
FRONT VIEW
 ALL DOORS CLOSED

ALL DIMENSIONS ARE INCHES OVER MILLIMETERS



A A

TOP VIEW
 ALL DOORS OPEN



SECTION A - A
 T-SLOT DETAIL

	NAME	DATE	 1400 MILL LANE 952.442.1410 WACONIA, MN 55387 USA
	DRAWN	DTE	
MATERIAL:			TITLE:
FINISH:			TT24 MACHINE FRAME ASSEMBLY
UNLESS OTHERWISE SPECIFIED:			
DIMENSIONS ARE IN INCHES (MM)		SCALE: 1:40	DWG. NO. 11037002
TOLERANCES:		ESTIMATED WEIGHT:	STOCK/ASSY No.
FRACTIONAL		15196.9 LBS.	XXX-XXX
ANGULAR:			SHEET No.
ONE PLACE DECIMAL			1 OF 1
TWO PLACE DECIMAL			
THREE PLACE DECIMAL			

SIZE
B