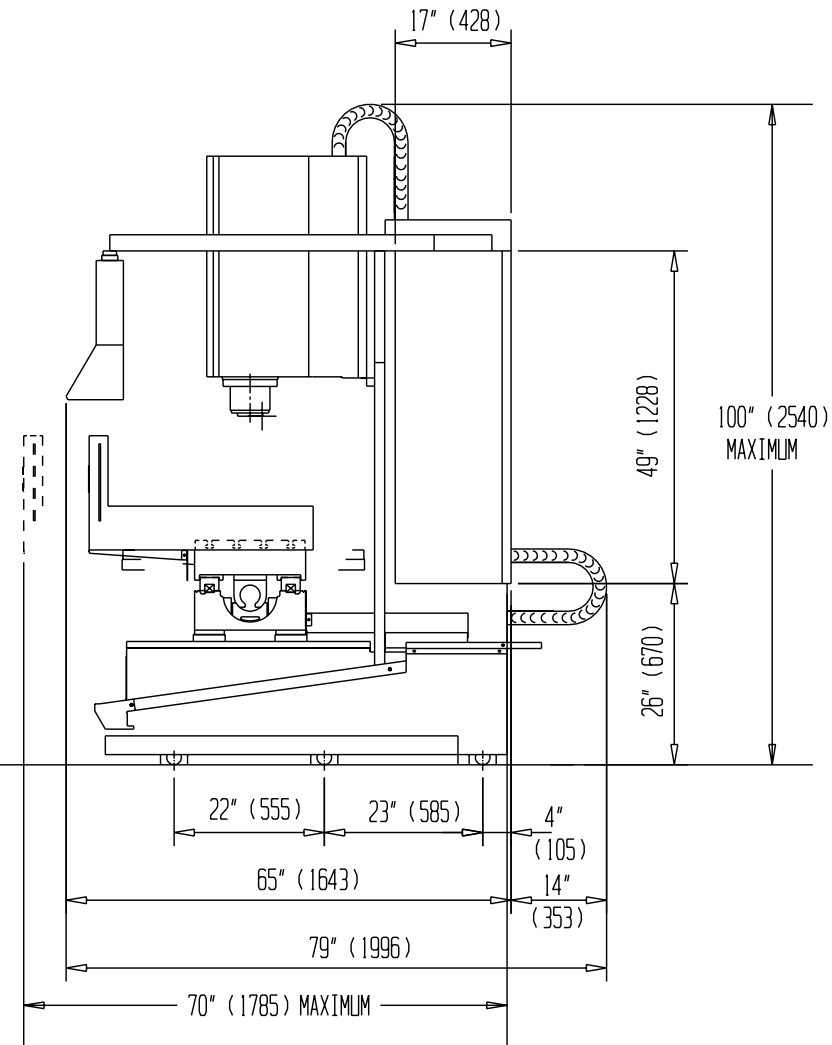
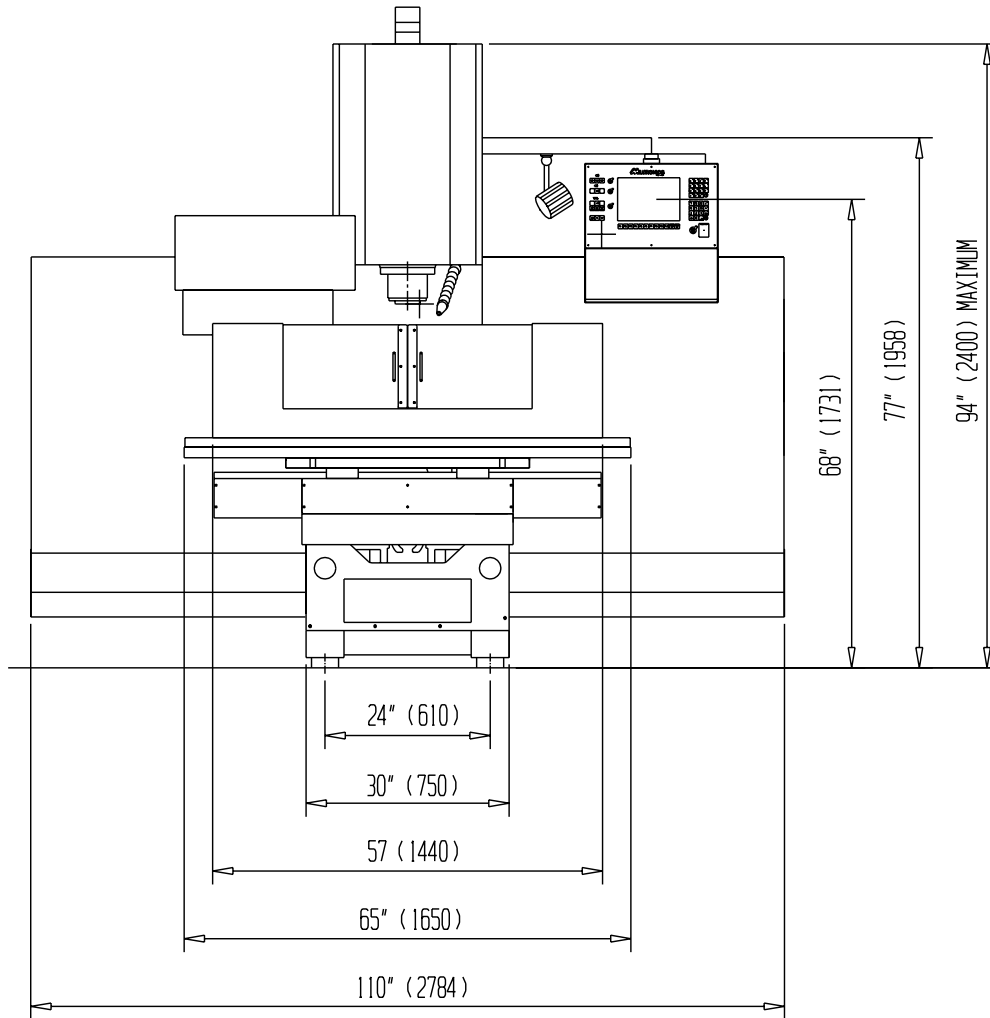


NOTES:

1. ELECTRICAL CABINET DOOR SWING IS 41" TO REAR
2. MAXIMUM Z HEIGHT IS 100"
3. MINIMUM Z HEIGHT IS 94" WITH Z MOTOR AND CABLE TRACK IN PLACE.

MM-18



OutLook Dwg

Date	2006-08-01	Scale	1:35	Drawing	MM18 Outlook
Comments:	---				