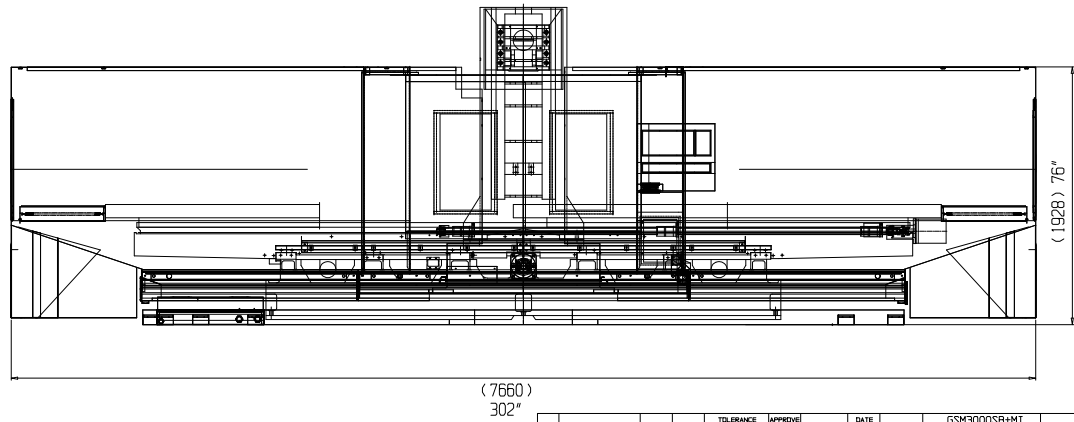
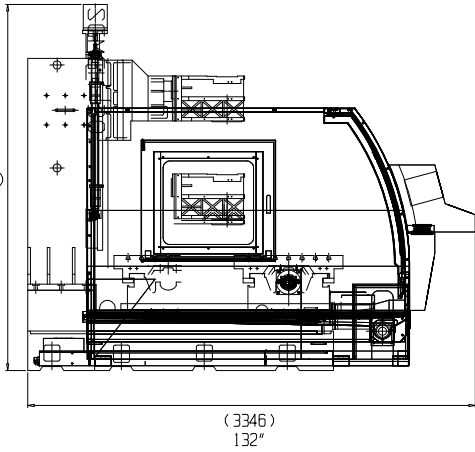
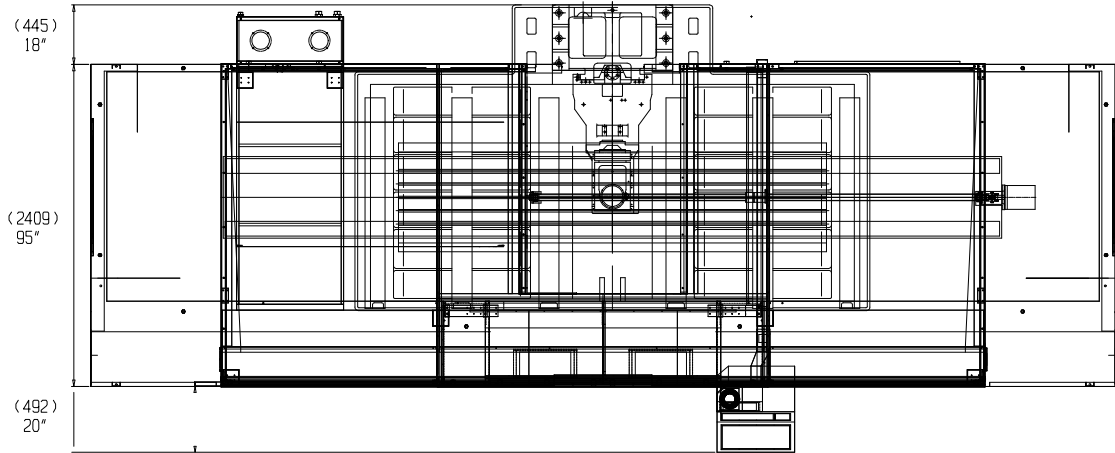


# RH35 Layout

**Note:**  
Enclosure front door  
usable opening is 118"  
wide.



TOLERANCE	APPROVE	DATE	GSM3000SB+MI	QUANTITY
1" = 4"	10.05	CHECK	MACHINE TYPE	ASS'Y
4" = 16"	10.05	ENGINEER	MATERIAL	PARTS
16" = 63"	10.10	DRAWER	DATE 04'11	DESPACE
63" = 252"	10.30	DRAWER	SCALE 1:15	PARTS
250'1000"	10.30	DRAWER	SCALE 1:15	NO.
MARK	CHANGE COMMENTS	CHANGE DATE	REMARK	GENG-SHJEN CD., LTD.
				INCIDENCE
				GENG-SHJEN
				GSM3000A02