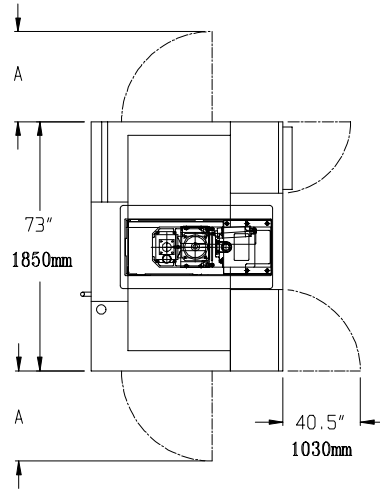
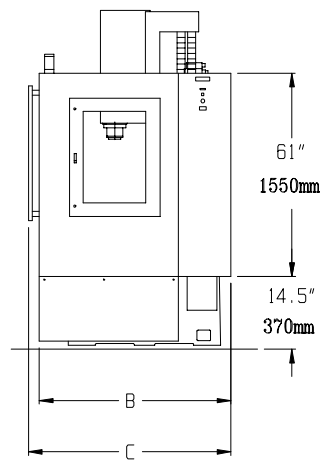
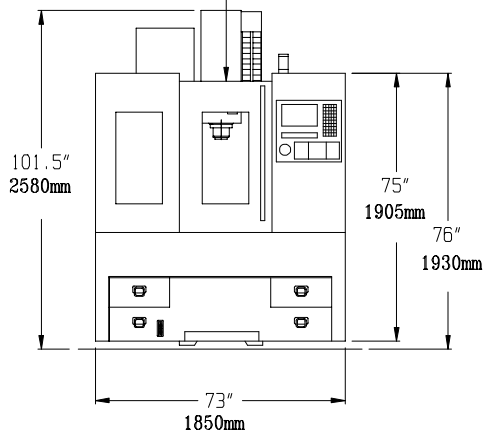



	A	B	C
RW15	28.5" 725mm	73" 1854mm	77" 1955mm
RW20	32" 813mm	80" 2032mm	83" 2108mm

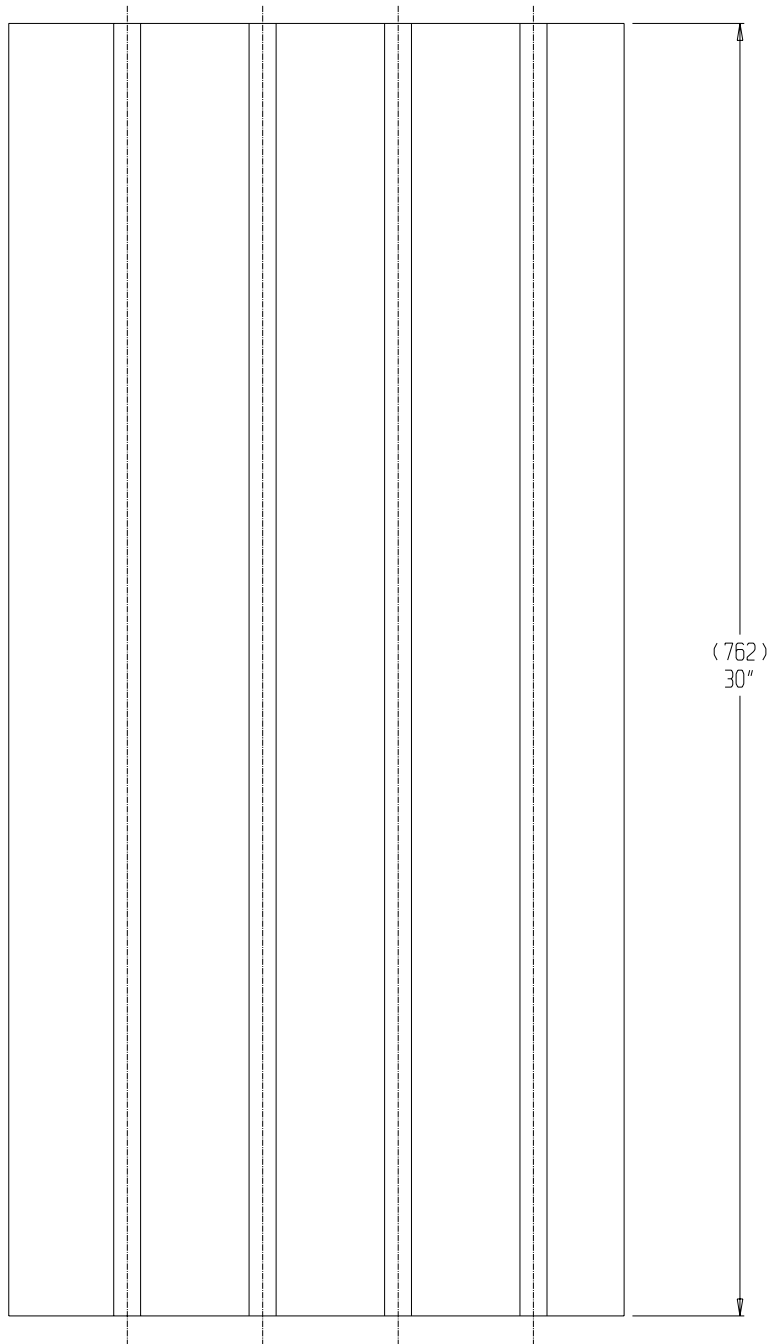


FRONT DOOR OPENING 22", 560mm



REV.	DESCRIPTION OF CHANGE	E.C.D. No.	APP'D BY	DATE
MATERIAL/FINISH		 1400 MILL LANE 952-442-1410 WACONIA, MN 55387 USA		
STOCK/ASSY No.				
TOLERANCE UNLESS SPECIFIED		TITLE RW15 & RW20 LAYOUT DRAWING		
X. XXX	+/-	APPLICATION		SCALE 40:1
X. XX	+/-	DATE 20 MAY 05	DWG No.	SIZE B
X. X	+/-	DRAWN BY NOTHOM		SHEET No. 1 OF 1
ANGLE	+/-			

RW15 TABLE DETAIL



T-SLOT DETAIL

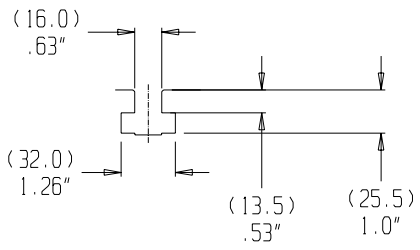
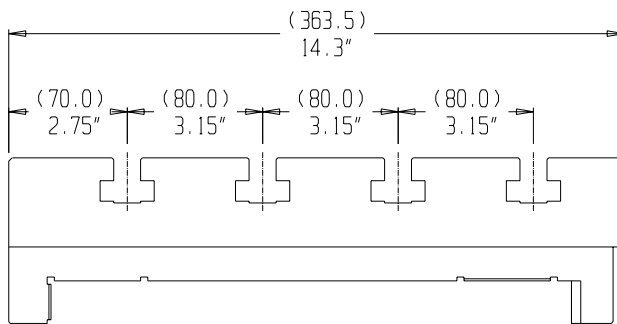
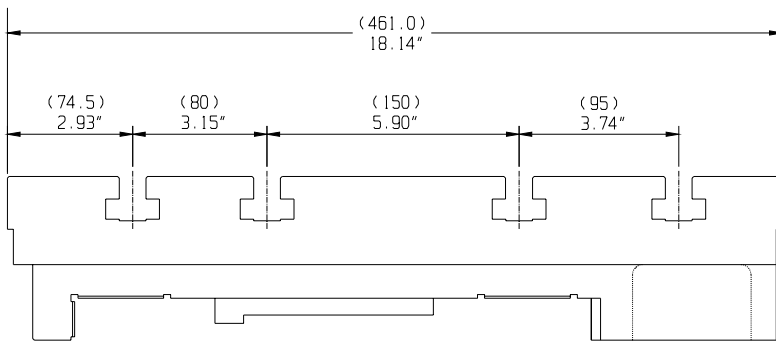
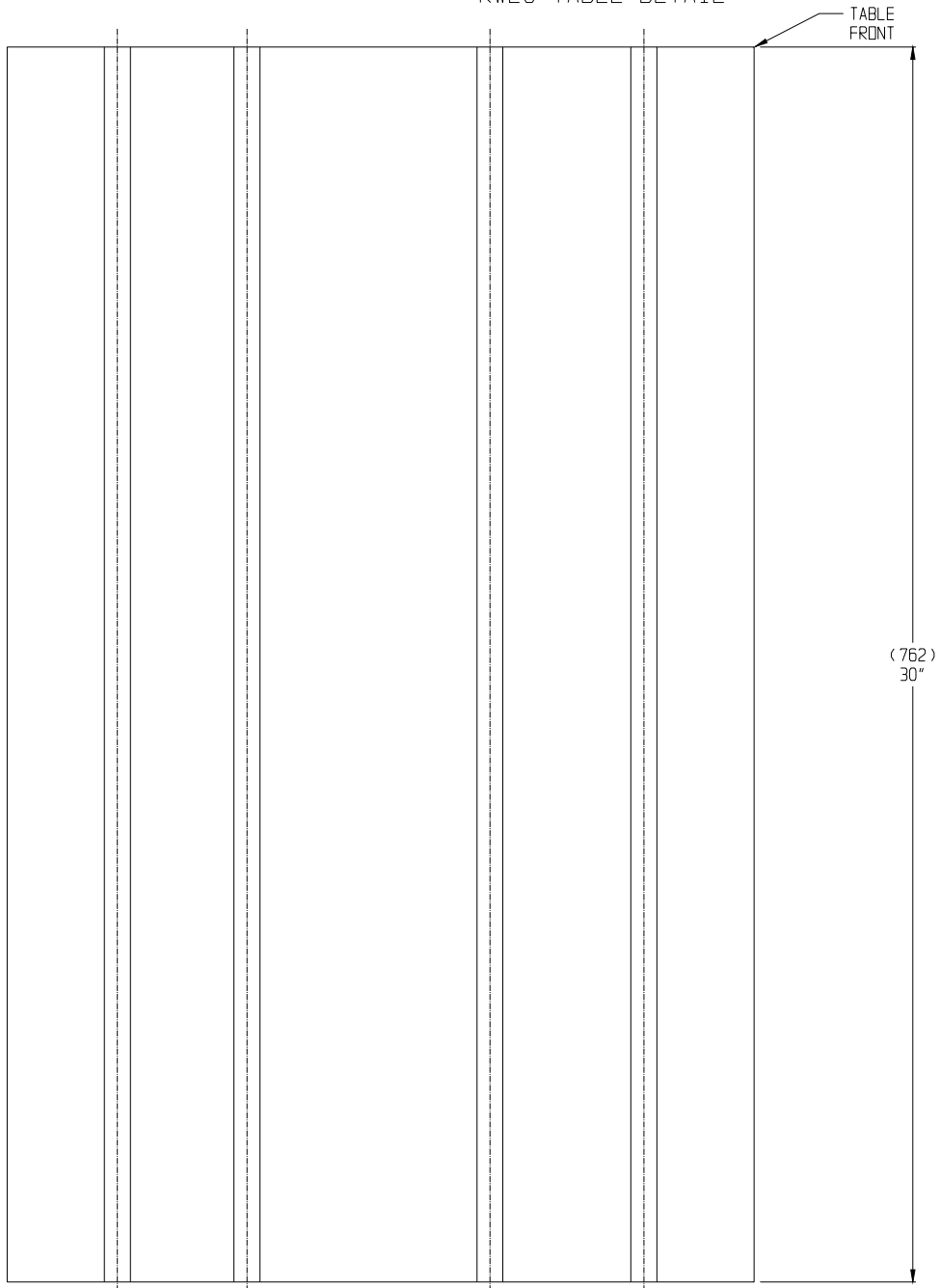


TABLE FRONT



# RW20 TABLE DETAIL



## T-SLOT DETAIL

