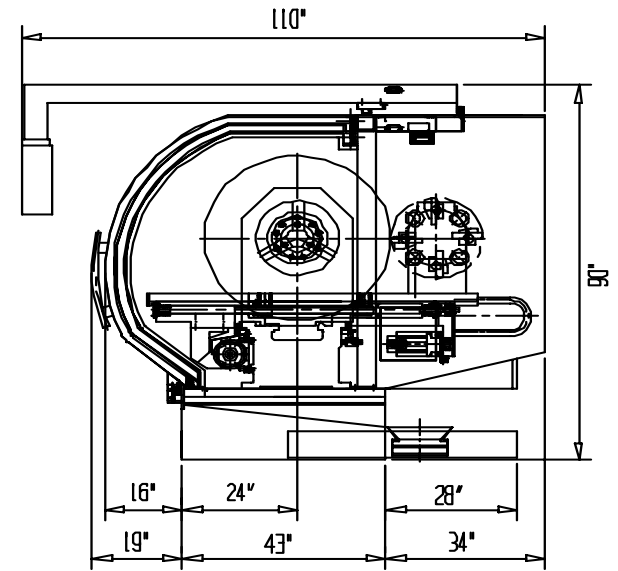
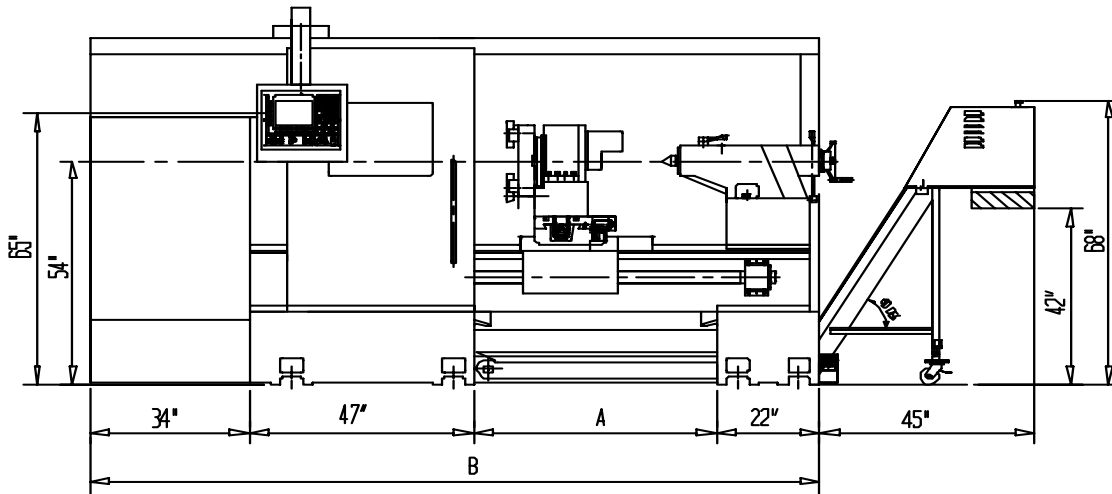




ML-40 Series Outline Drawing

If a conveyor option is supplied, 71" clearance is required between the rear of the machine and any wall behind in order to get the coolant tank in and out.



MODEL	A	B
ML40-80	90.5"	193"
ML40-120	130"	232"
ML40-160	170"	272"
ML40-200	209"	311"
ML40-240	248"	350"